



Navigation Lights



Signalling Lights



Searchlights



Air Horns



DHR40 LED

The DHR40 LED, our most compact navigation light with LED technology. Ideally suited for small and agile vessels, because of its excellent visibility characteristics at high vertical angles. With a well thought out design, where style meets functionality, the DHR40 LED sets the standard in navigation lighting. Another distinctive feature is the availability of a flashing option. The use of automotive leds and high quality components assures the most robust and durable in its class. Interference noise does not occur and with a 50.000 hour lifetime it reduces expensive maintenance costs to a minimum.


MATERIALS

- Black, hard anodised seawater resistant aluminium
- POM base to prevent galvanic corrosion
- UV-Resistant borosilicate glass lens
- Epoxy potted power supply for maximum protection

APPLICATION

Vessels less than 20m in length

SPECIFICATIONS

Power Supply:	24VDC
Lifetime:	50,000 Hrs
Visibility:	2 NM - 3 NM
Operation Temperature:	-25 to +55 °C
Protection Class:	IP66
Approval:	MED  (pending)

QUALITY STANDARDS:



Visibility at high vertical angles



24VDC (-20%/+30%)
Max. 3W



Maintenance friendly



Extended operational lifetime



No noise interference



Excellent thermal management



Robust design



Waterproof IP66



Advanced Maritime Signalling Solutions

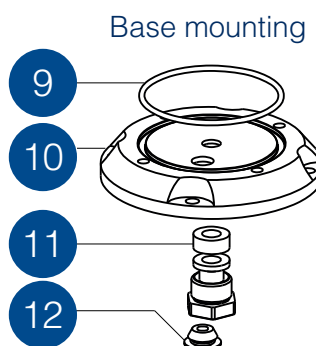
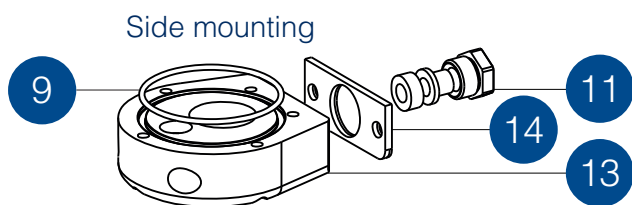
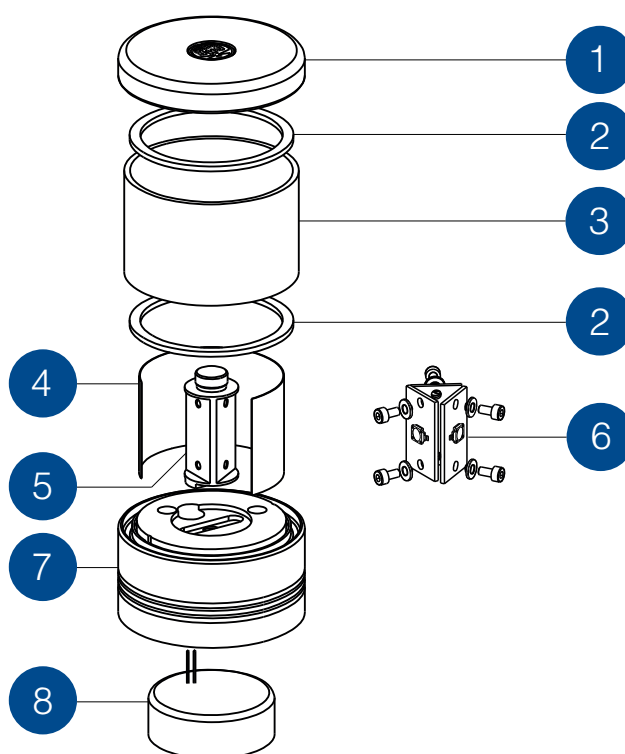
AVAILABLE MODELS

Sector lights	Min. Visibility	LED Colour	Power	Base Mounted Art. Code	Side Mounted Art. Code
Starboard	2 NM	Green	3 W	40.01.00.00	40.01.00.01
Port	2 NM	Red	3 W	40.02.00.00	40.02.00.01
Masthead	3 NM	White	3 W	40.03.00.00	40.03.00.01
Stern	2 NM	White	3 W	40.04.00.00	40.04.00.01
Towing	2 NM	Yellow	3 W	40.04.09.00	40.04.09.01

All-round lights	Min. Visibility	LED Colour	Power	Art. Code	Art. Code
White	2 NM	White	3 W	40.06.00.00	40.06.00.01
Red	2 NM	Red	3 W	40.07.00.00	40.07.00.01
Green	2 NM	Green	3 W	40.08.00.00	40.08.00.01
Yellow	2 NM	Yellow	3 W	40.09.00.00	40.09.00.01
Blue	2 NM	Blue	3 W	40.10.00.00	40.10.00.01

SPARE PARTS

Item	Part	Partnumber
1	Cover	40.99.00.90
2	Gasket DHR40	40.99.00.55
3	Glass tube	40.99.00.52
4	Screen side lights	40.99.00.80
	Screen masthead	40.99.00.81
	Screen stern / towing	40.99.00.82
5	Heatsink triangle	40.99.00.93
6	LED circuit board	
7	Housing	40.99.00.91
8	Power supply	40.99.00.11
9	O-Ring DHR40	40.99.00.54
10	Mounting base	40.99.00.60
11	Cable gland PG11	
12	Membrane vent	40.99.00.57
13	Mounting side	40.99.00.60
14	Gasket DHR40 Side	40.99.00.57



Den Haan Rotterdam
 Fascinatio Boulevard 1182
 2909 VA Capelle a/d IJssel
 T +31 (0) 10 41 30 755
 E sales@dhr.nl
 www.dhr.nl