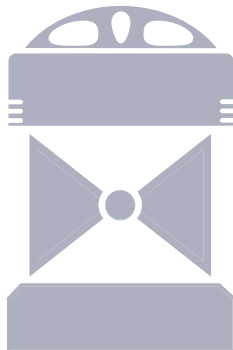


TECHNICAL MANUAL

DHR70N Polar

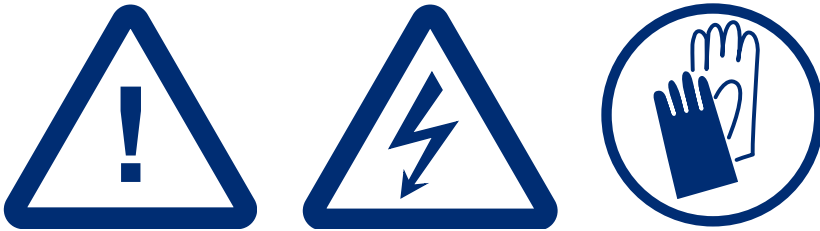


SINCE 1922

Den Haan Rotterdam

WARNING!

- Turn power off before inspection, installation or removal
- Keep combustible materials away from lamp
- Allow lamp/fixture to cool before handling



Damage due to inappropriate handling is not covered by the warranty.

DISCLAIMER

Despite constant care and attention DHR puts in its manuals it is still possible that information in this manuals is incomplete or incorrect.

We do not guarantee that the information in the manual is suitable for the purpose for which the information was consulted. All information is offered in the state in which it actually is and without any (implicit) guarantee or warranty regarding its validity or its suitability for a particular purpose or otherwise. All illustrations are for illustrative purposes only. This manual is not intended to cover every possible detail about the product.

We exclude all liability for any damages, direct or indirect, of any nature whatsoever, arising from or in any way connected with the use of this manual. In addition we are not liable for damages, direct or indirect, arising from the use of information obtained from this manual.

A user of this manual may not publish copyright protected works or other information from the manual or in any way reproduce the information without our permission. This also includes the reproduction of information or parts thereof by publication in an electronic (computer) network.

© Copyright, Den Haan Rotterdam B.V.
Version 1.3 October 2015

This document contains proprietary information that is protected by copyright. All rights reserved.



TABLE OF CONTENTS

1. Technical data	4
2. Product photo	5
3. Dimensions	6
4. Electrical specification	7
5. Exploded view	8
6. Positioning side lights	9
7. Positioning all-round lights	10
8. Mounting	10

1. TECHNICAL DATA

Application:

- Sea-going vessels navigating in Arctic regions of more than 20m in length
- Inland navigation

In compliance with:

- International Regulations for Preventing Collisions at Sea; COLREG 72 and latest amendments
- The Directives 96/98/EC and 82/714/EC, following the European standard: EN 14744 (2005) AC(2006), Inland navigation vessels and sea-going vessels - navigation light
- RS Rules, part XVII, item 7.11.2.2
- The Technical Regulation on the Safety on Sea Transport Items TR-620

Materials:

- Housing, matt black high-grade polycarbonate reinforced with fibre glass
- Fresnel lens, shock resistant polycarbonate
- Screen, seawater resistant aluminium - hard anodized 70 µm black
- Mounting materials, stainless steel A4, seawater resistant, non-magnetic
- Gaskets, silicone rubber

Protection class:

Min. IP56 complete with membrane vent

Operation temperature:

Type tested from -52°C up to +55°C

Min. visibility:

Sector lights

Starboard	3 NM	71.11.00.00
Port	3 NM	71.12.00.00
Masthead	6 NM	71.13.00.00
Stern	3 NM	71.14.00.00
Stern - Red	3 NM	71.14.17.00
Towing	3 NM	71.15.00.00

All-round

White	3 NM	71.16.00.00
Manoeuvring	5 NM	71.16.10.00
Red	3 NM	71.17.00.00
Green	3 NM	71.18.00.00
Yellow	3 NM	71.19.00.00

Electrical insulation class:

I, (grounded)

Power supply:

230VAC 50/60Hz

Cable:

THERMFLEX 180 EWKF-C 5G1 - 1,5 metre

Bulb:

Normalized bulb P28s **Max. 65W**
(European standard: EN 14744)

Heating element:

Transparent heater 70W complete with thermostat

Mounting:

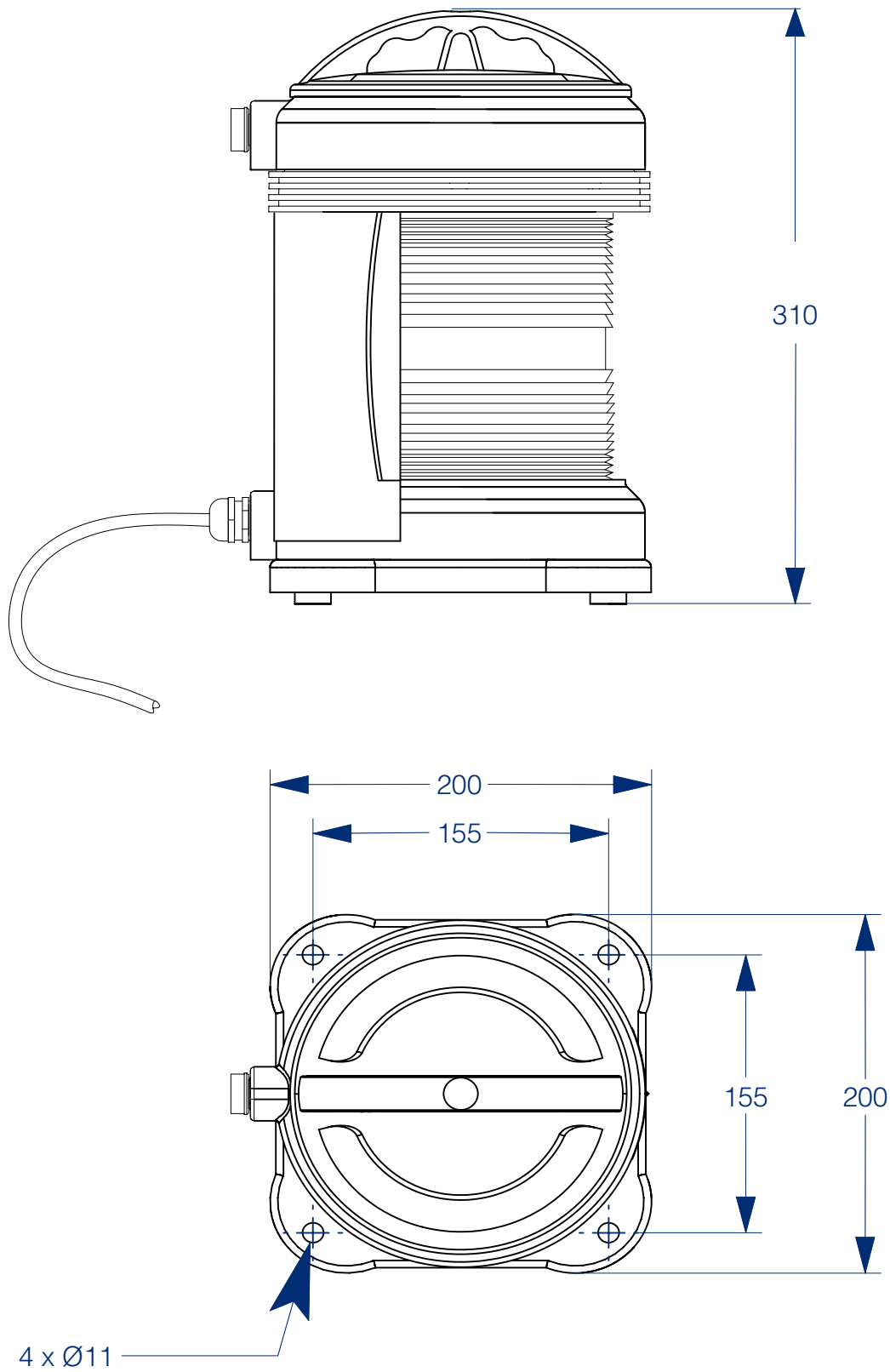
Base mounting only



2. PRODUCT PHOTO



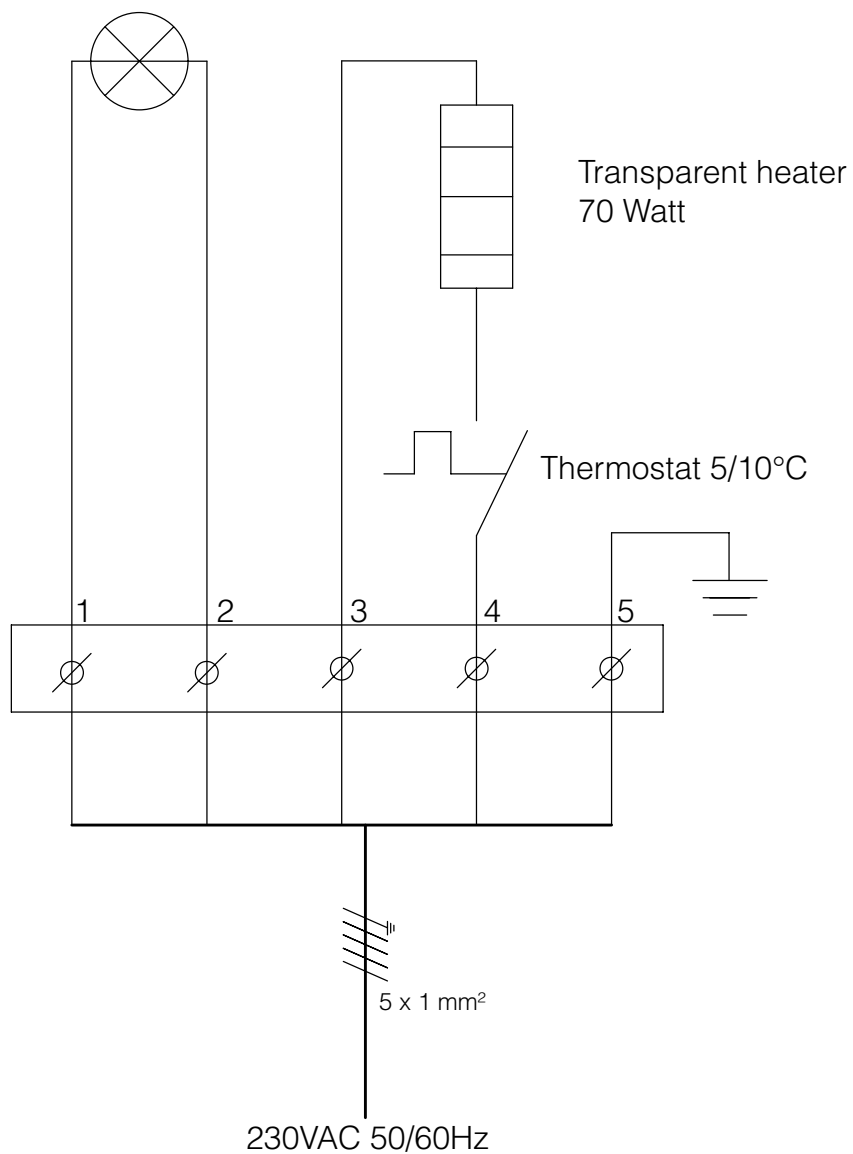
3. DIMENSIONS



All dimensions in mm.

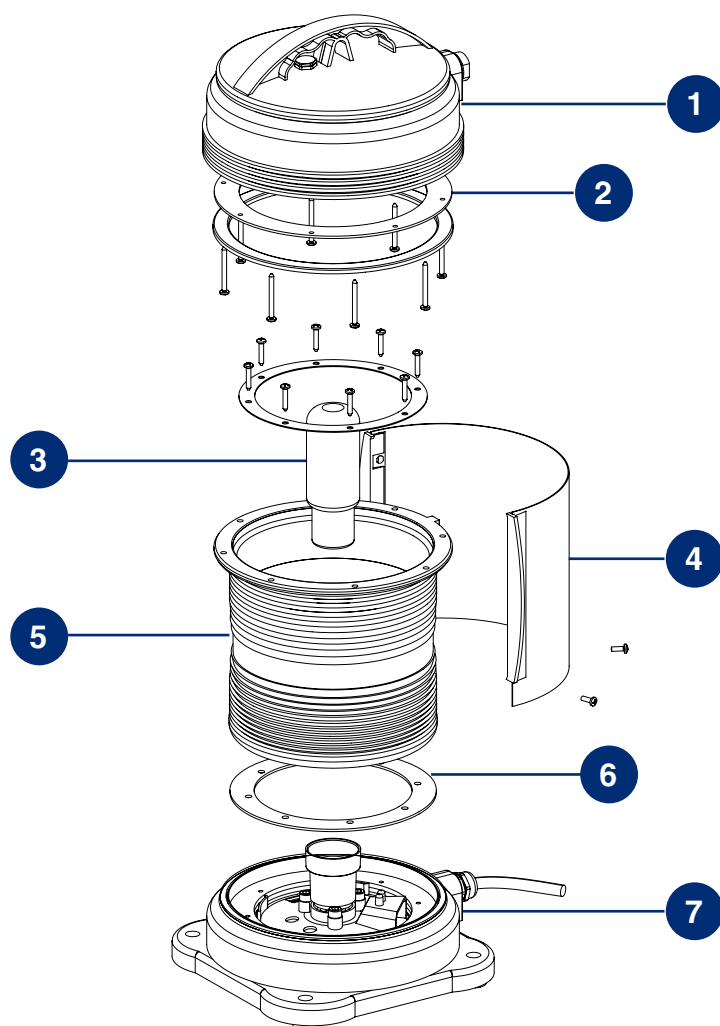
4. ELECTRICAL SPECIFICATION

Bulb P28s 230V 65W



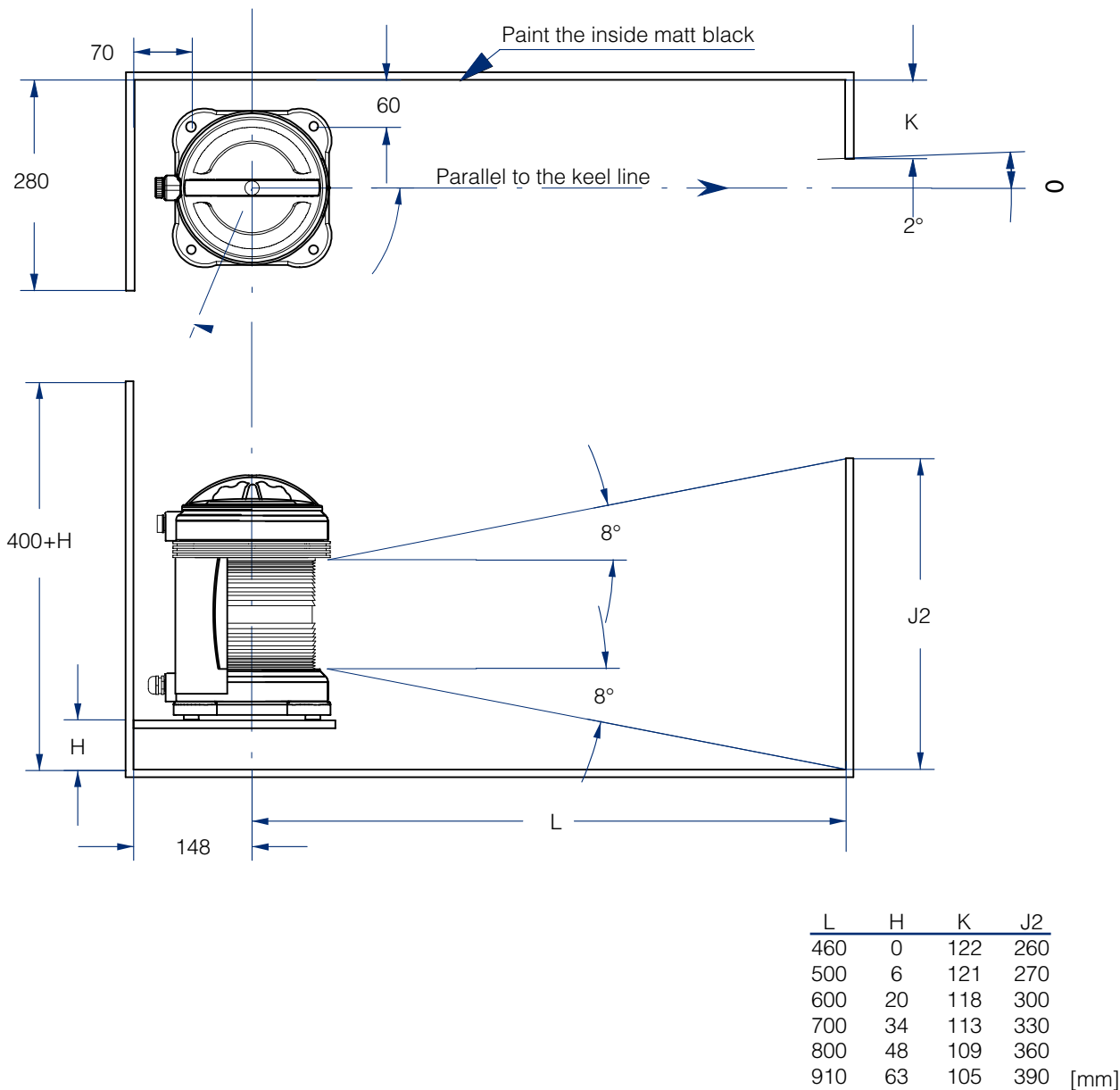
Wire	Colour	Description
1	Blue	Bulb
2	Brown	Bulb
3	Gray	Heater
4	Black	Thermostat/Heater
5	Green/Yellow	Earth

5. EXPLODED VIEW



Item	Part	Material	Quantity	Art. code
1	Top part c/w heatsink and membrane vent	Polycarbonate reinforced with fibre glass - black	1	71.99.80.00
2	Gasket large	Silicone - white	1	71.99.00.55
3	Bulb P28s 230V Max. 65W		1	70.99.03.10
4	Screen starboard	Seawater resistant,	1	71.99.02.10
	Screen port	Hard anodized 70µm		71.99.02.15
	Screen masthead			71.99.02.20
	Screen stern			71.99.02.30
	Screen 180°			71.99.02.80
5	Lens complete with transparent 70 Watt heater	Polycarbonate - red	1	71.99.70.01
		Polycarbonate - green		71.99.70.02
		Polycarbonate - crystal clear		71.99.70.03
		Polycarbonate - smoky		71.99.70.04
		Polycarbonate - yellow		71.99.70.05
6	Gasket small	Silicone - white	1	71.99.00.60
7	Bas part c/w cable, lamp holder and thermostat	Polycarbonate reinforced with fibre glass - black	1	71.99.30.00

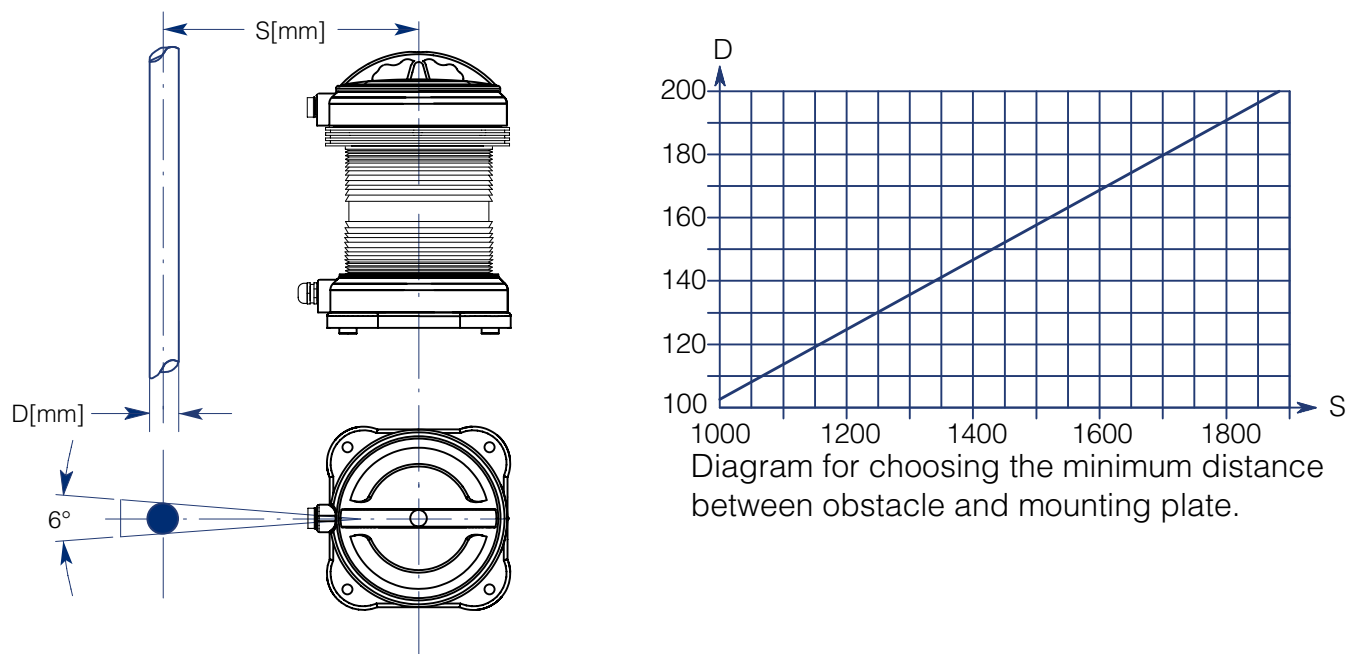
6. POSITIONING SIDE LIGHTS



Disclaimer:

- The minimum luminous intensity requirements in the forward direction are only guaranteed if the sidelights are mounted inside the vessels inboard screens in accordance with this drawing and table.
- This is an illustration to indicate the dimensions of the inboard screens, relative to the keel line of the vessel. By no means may this image be used to determine the actual position of the sidelights on the vessel itself. For positioning the lights at the vessel always check for compliance with COLREG 72 or local rules.

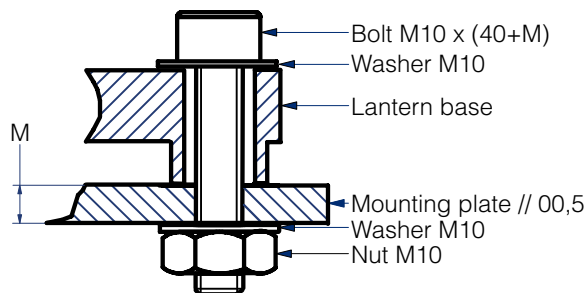
7. POSITIONING ALL-ROUND LIGHTS



Disclaimer:

This is an illustration to indicate the position of the all-round light relative to a mast. All round lights shall be so located as not to be obscured by masts, topmasts or superstructures within angular sectors of more than 6°. By no means may this image be used to determine the specific position of the all-round lights on the vessel itself. Hence, always check for compliance with COLREG 72 or local rules.

8. MOUNTING



All dimensions in mm

Mounting plate

The mounting plate for navigation lights should be at least 5 mm thick and should not exceed a parallelism of // 00,5.

Fasteners

- Permissible torque 8 Nm
- Use only A4-grade stainless steel

Important

Do not paint or use any other chemical for the lanterns, clean only with fresh water.



This page is intentionally left blank

ADVANCED MARITIME SIGNALLING SOLUTIONS



Den Haan Rotterdam

Fascinatio Boulevard 1182
2909 VA Capelle a/d IJssel
The Netherlands

T +31 (0) 10 413 07 55

E sales@dhr.nl

www.dhr.nl