



MANUAL

Searchlights

DHR 350

Cabin control

Den Haan Rotterdam B.V.
Wijnhaven 81
3011 WK ROTTERDAM
The Netherlands
Phone: +31 (0)10 – 413 07 55
Fax: +31 (0)10 – 413 54 87
E-mail: info@dhr.nl

5 November 2002

Introduction

Den Haan Rotterdam, specialist in developing and manufacturing navigation lights for ships since 1922. Besides, 30 years active in producing searchlights for pleasure craft and inland trade.

Co-workers of Den Haan Rotterdam got more and more interest in a wider assortment of high quality searchlights. Much attention has been paid to the wishes of our very valued customers

After a time-consuming re-development, the use of exclusive seawater resistant materials, and electrical construction conform the directives 73/23/EEC and 93/68/EEC, now the renewed searchlight is ready to put on the market.

Voorwoord

Den Haan Rotterdam, specialist in het ontwikkelen en produceren van navigatieverlichting sinds 1922. Daarnaast reeds 30 jaar actief in de fabricage van zoeklichten voor de plezier- en binnenvaart.

Bij de medewerkers van Den Haan ontstond een steeds grotere interesse voor een breder assortiment kwalitatief hoogwaardige zoeklichten. Veel aandacht is besteed aan de geuite wensen van onze zeer gewaardeerde afnemers.

Na een tijdrovende her-ontwikkeling, het gebruik van uitsluitend zeewaterbestendige materialen, de elektrische constructie volgens de richtlijnen 73/23/EEG en 93/68/EEG, achten wij het vernieuwde zoeklicht thans geschikt om op de markt te brengen.

Den Haan Rotterdam BV



M. den Haan
Managing director / Directeur

Table of contents

Introduction.....	2
Table of contents	3
Mounting instructions.....	4
Mechanical	4
Electrical.....	4
Maintenance.....	5
Lamp replacement	5
Preventive maintenance	5
Technical specification.....	6
Guarantee	7
Annex 1 – Dimensions Searchlight DHR 350 - Cabin control.....	8
Annex 2 – Mounting instructions 350 – Cabin control.....	9
Annex 3 – Wire diagram	10
Annex 4 – Spare parts cabin control	11
Annex 5 – Spare parts head searchlight	12

Mounting instructions

Mechanical

- 1) Before placing the searchlight be sure that there is plenty of space for the head to move in any direction. For dimensions see annex 1
- 2) Drill the mounting holes according to figure 1 (annex 2).
- 3) Loosen the bolts M8 x 25, see figure 2 (annex 2).
- 4) Place the head on the roof and put the bolts M10 x L in the drilled holes, see figure 2 (annex 2).
- 5) Take the cabin control unit and unscrew the two set screws M6 x 10, see figure 3 (annex 2). The prop with deck plate can now be moved up and down across pipe.
- 6) Unscrew the set screw M4 x 8 and remove the pin of the triangle, see figure 3 (annex 2).
- 7) Push the pull rod in the pipe of the cabin control unit and place the pin back in the triangle, see figure 3 and 4 (annex 2).
- 8) Place the cabin control unit carefully against the roof, whereby the pull rod is pushed in the upper deck plate. See figure 5 (annex 2)
- 9) Secure both parts of the searchlight by bolting them together with the bolts M10. See figure 5 and 6 (annex 2)
- 10) Place the hinge piece on top of the pull rod and secure them with the bolts M8 x 25. See figure 6 (annex 2)

Warning

When mounting the searchlight always push the pull rod from the underside of the cabin control unit in the searchlight, else you will damage the gaskets

Electrical

Install the electrical wiring according to annex 3. Keep the distance between the power supply and halogen lamp so short as possible. Long wires will increase the voltage drop near the halogen lamp, decreasing the light output.

Warning

Den Haan Rotterdam accepts no responsibility for any damage if the searchlight is installed and / or used improperly. When in doubt consult a qualified electrical technician.

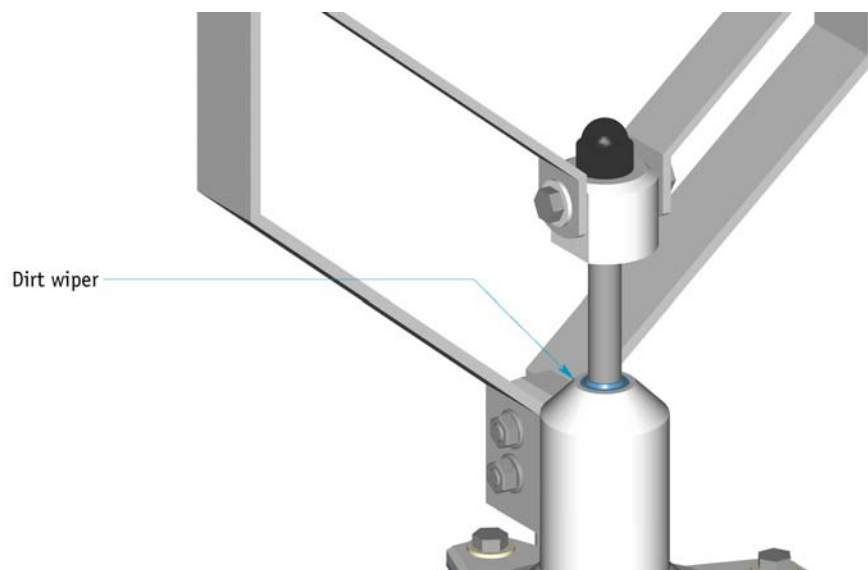
Maintenance

Lamp replacement

1. Switch off the main power
Caution – hot lamp. Let the lamp cool down before going further
2. Open the drum
3. Pull the halogen lamp out of the lampholder
4. Ensure that the replacement lamp is of the same type
5. Take a clean cloth to place the new halogen lamp in the lamp holder
(Do not touch the halogen lamp with bare fingers, remove any fingertips with alcohol and rub it dry)
6. Check the neoprene sealing of the glass and rub it in with talcum powder
7. Close the drum
8. The searchlight is ready for use

Preventive maintenance

Clean the searchlight with clean water regularly. Do not use any aggressive cleaning agents. At least twice a year rub the dirt wiper, on top deck plate (see drawing 1), in with silicone grease.



Technical specification

- Tilt : $\pm 25^\circ$
- Materials:
 - Material : Seawater resistant Aluminium - yellow chromated
 - Finish : epoxy powder coated - white RAL9016
 - Sealing : Neoprene, black
 - Glass : Therm. toughened glass 5 mm
 - Reflector : Parabolic mirror 13,5 x 7,9" - lead covered
 - Cable : Silicone cable 3 x 1,5 mm²
 - Cable glands : PG 13,5
- Electrical insulation class : I
- Protection class : IP 56
- Ambient temperature : -25°C / + 40°C
- P_{max.} : 1000 W (24V 250W)
- U_{nom.} (dependant on halogen lamp) : 110 - 120VAC, 220 - 240VAC or 24VDC
- Halogen lamp 230V – 1000W:
 - Light intensity : 1.220.000 cd
 - Angle of divergence : 6,5° x 10°
 - Range : 1104 metre
- Halogen lamp 115V – 1000W:
 - Light intensity : 950.000 cd
 - Angle of divergence : 5° x 7°
 - Range : 974 metre
- Halogen lamp 24V – 250W:
 - Light intensity : 820.000 cd
 - Angle of divergence : 4° x 3,5°
 - Range : 904 metre

Guarantee

For this DHR cabin controlled searchlight we grant a guarantee of **2 years**. The guarantee begins with the day when the equipment is sold or before, when it is operated for the first time. The presentation of your invoice is your warranty.

Our guarantee covers faults in material or defects of fabrication. Our guarantee does not apply to claims of which the cause is due to installation and operation faults, inexpert attempts to repair, as well as to all damages due to wear and tear on parts subject to wear.

In our fabrication first quality, seawater resistant material is worked. If nevertheless, the unit should give reason for a justified complaint, then you have, after our choice, a claim for the retouching or replacement of the defective parts free of charge. Repair work under guarantee will only be performed by our house or company, duly authorized by us.

If you have to claim to our guarantee, send the defective unit or part of the unit with the receipt or copy of invoice and statement of the defect free of charge to us.

Claims for damages on the transport shall not be recognized. The shipment risks are for account of the purchaser, unless otherwise agreed with Den Haan Rotterdam.

Garantie

Op dit op onderdeks bedienbare zoeklicht wordt een garantie gegeven van 2 jaar. De garantieperiode begint op de dag van aanschaf, of wanneer het zoeklicht is geïnstalleerd. De factuur is uw garantiebewijs.

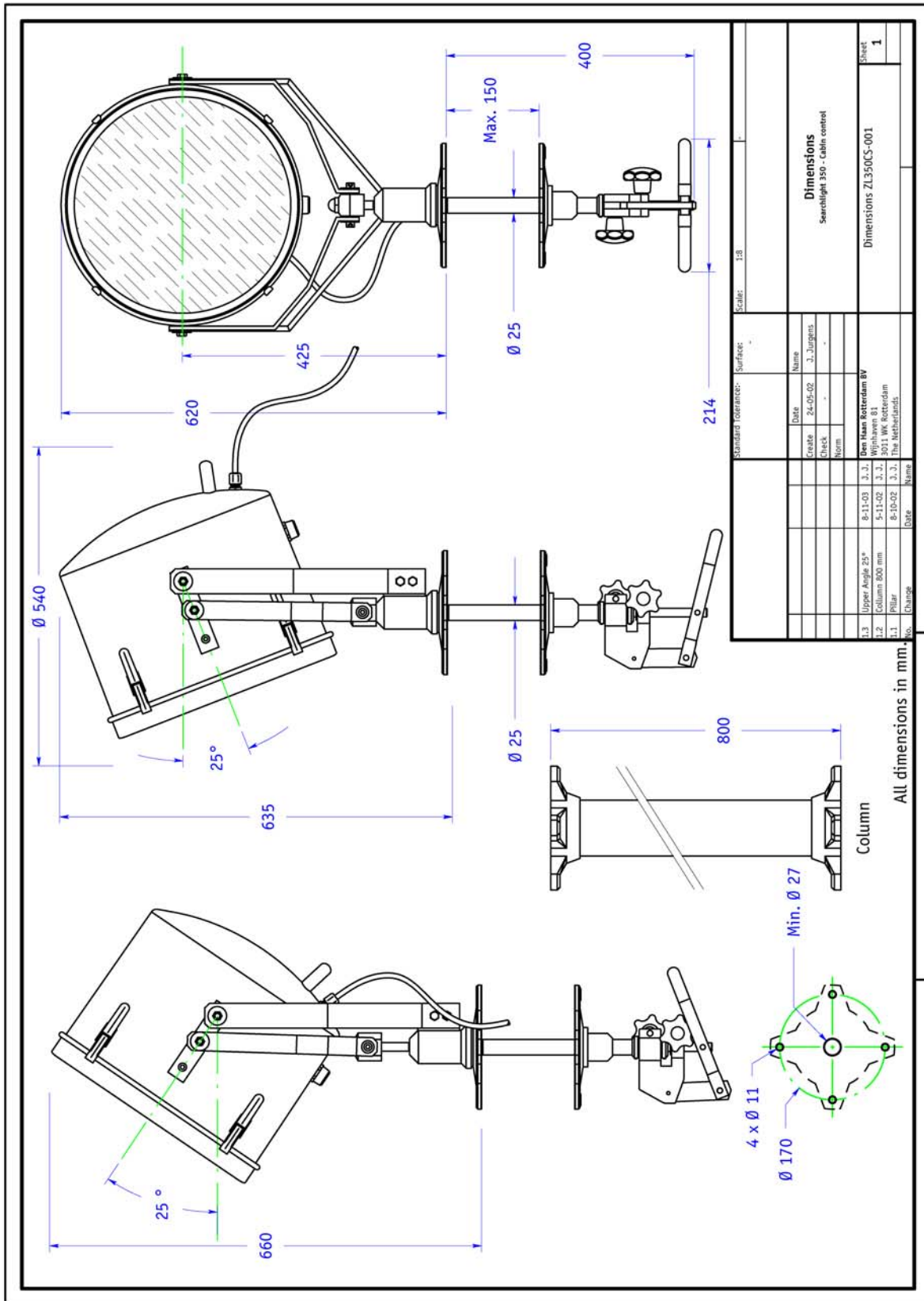
Onze garantie geldt voor fabricagefouten en materiaal gebreken. De garantie geldt niet indien door installatiefouten, verkeerd gebruik en / of slecht onderhoud gebreken ontstaan. Evenzo op slijtage en normale veroudering.

Voor de fabricage van dit zoeklicht zijn alleen zeewaterbestendige materialen gebruikt. Mocht desondanks, het zoeklicht toch reden geven tot terechte klachten, dan kunt u het zoeklicht of de defecte onderdelen na overleg onder garantie laten repareren of vervangen. Reparatie vinden alleen plaats door een medewerker van Den Haan Rotterdam of een door ons geautoriseerde persoon of onderneming.

Als u een garantie claim heeft, dan kan het defecte onderdeel of gehele zoeklicht, met een kopie van de factuur met duidelijke omschrijving van de klacht, gefrankeerd naar ons worden opgestuurd.

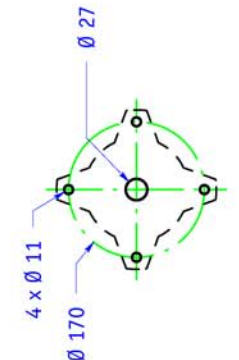
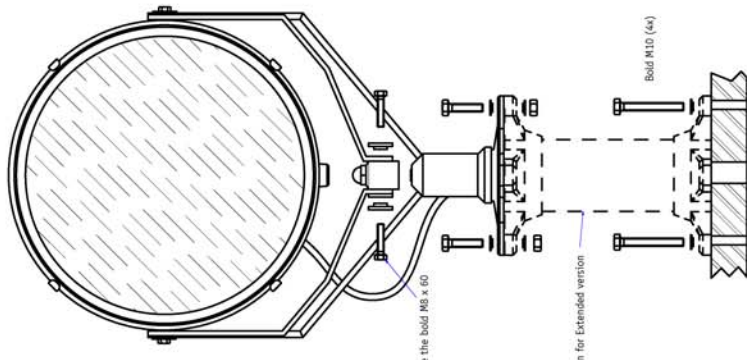
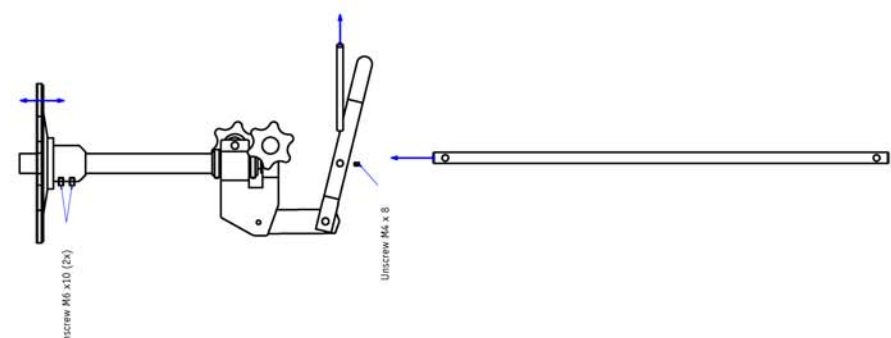
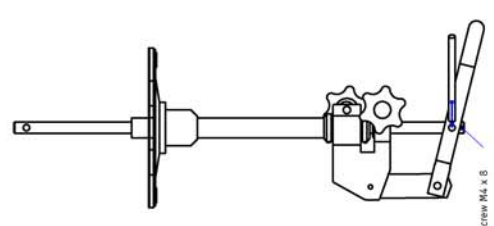
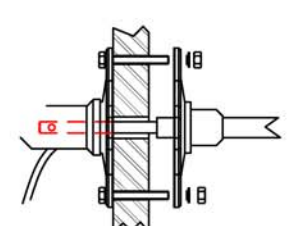
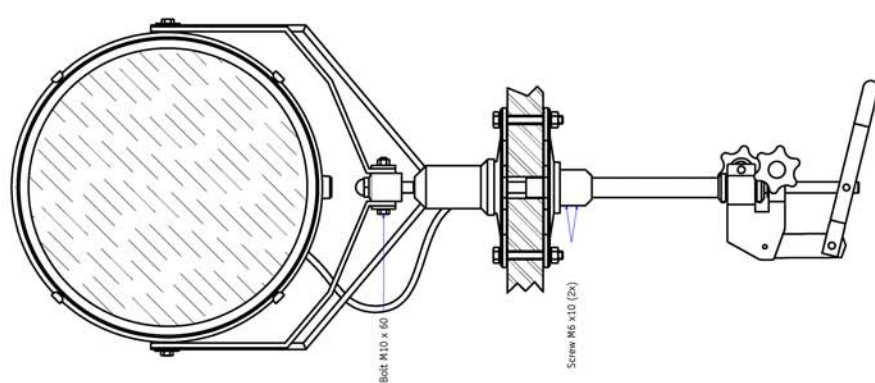
Beschadigingen door transport vallen niet onder de garantie. Het transportrisico is voor de afnemer, tenzij anders overeengekomen met Den Haan Rotterdam.

Annex 1 – Dimensions Searchlight DHR 350 - Cabin control

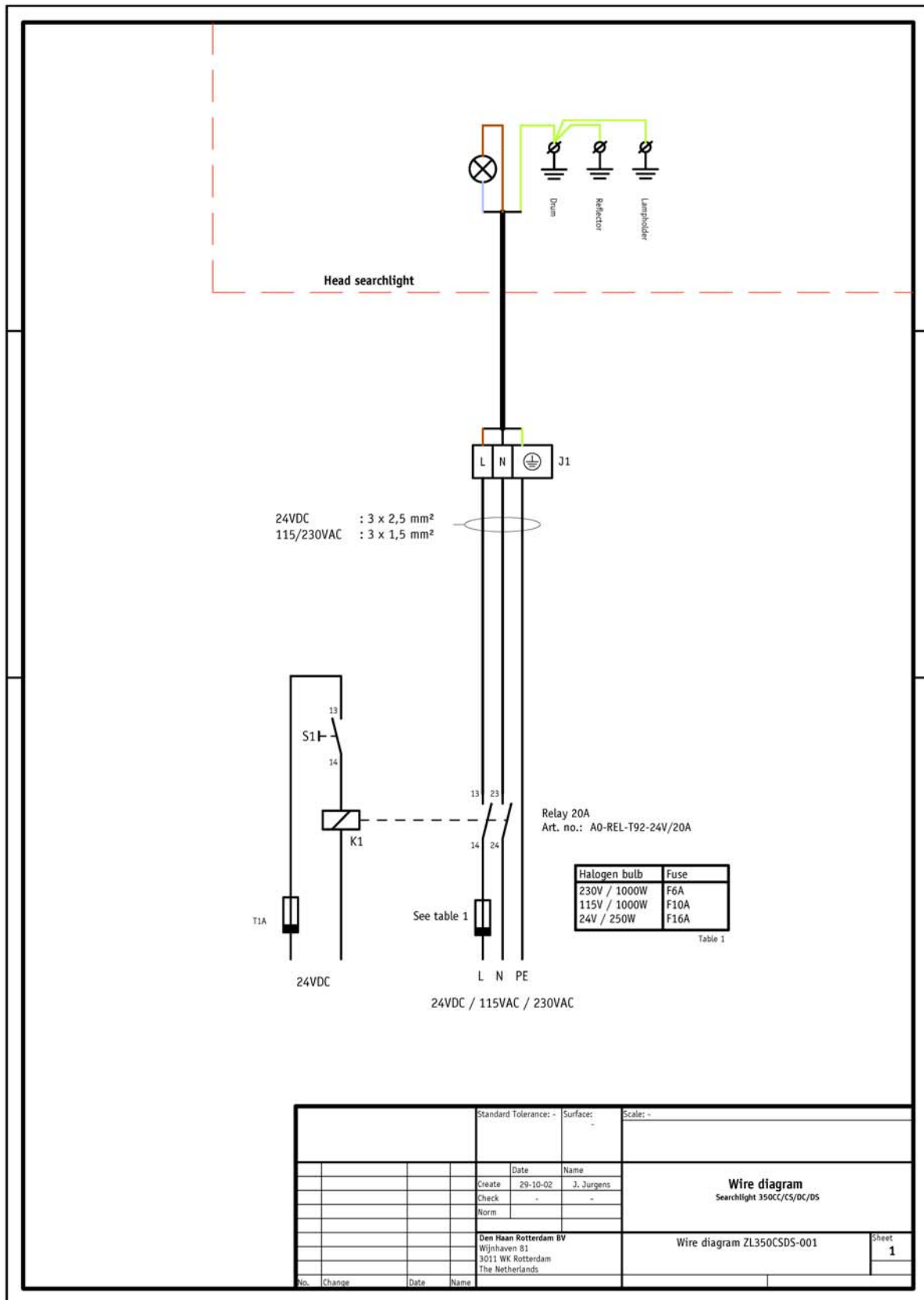


The electrical construction of the searchlight is manufactured in accordance with international standard IEC 60598-1, conform the directives 73/23/EEC and 93/68/EEC.

Annex 2 – Mounting instructions 350 – Cabin control

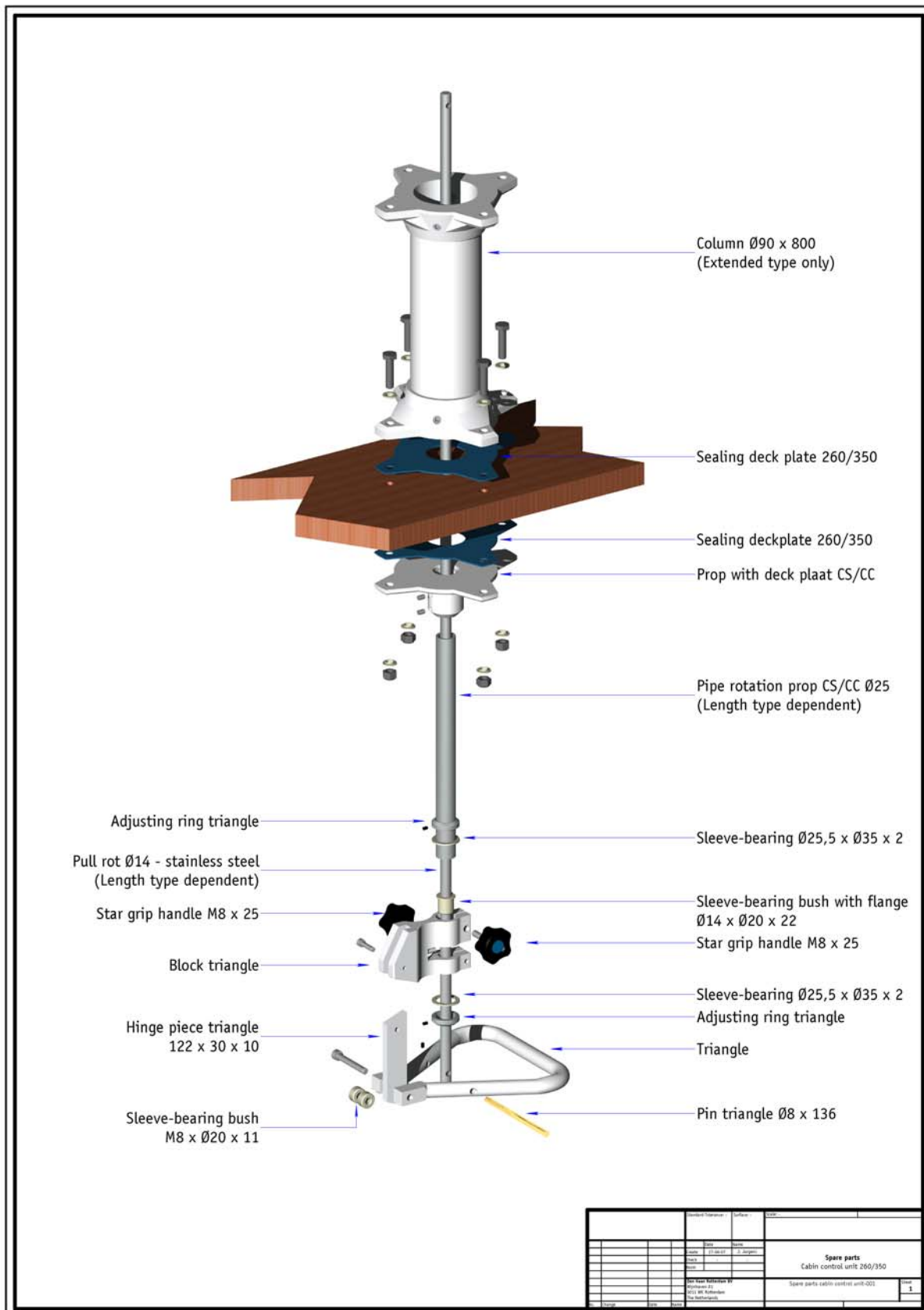
<p>1</p>  <p>4 x Ø 11 Ø 27 Ø 170</p>	<p>2</p>  <p>Remove the bold M8 x 60 Column for Extended version Bold M10 (4x)</p>	<p>3</p>  <p>Unscrew M6 x10 (2x) Unscrew M4 x 8</p>	<p>4</p>  <p>Screw M4 x 8</p>	<p>5</p> 	<p>6</p>  <p>Bolt M10 x 60 Screw M6 x10 (2x)</p>	<p>Standard Tolerance- Surface: - Scale: 1:8</p>	<table border="1" style="width: 100%; border-collapse: collapse;"> <thead> <tr> <th>Date</th> <th>Name</th> </tr> </thead> <tbody> <tr> <td>25-10-02</td> <td>J. Jurgens</td> </tr> <tr> <td></td> <td>Norm</td> </tr> </tbody> </table>	Date	Name	25-10-02	J. Jurgens		Norm	<p>Mounting instructions Searchlight 350 - cabin control</p>	<p>Mounting instr ZL350CS-001</p>	<p>Sheet 1</p>																													
Date	Name																																												
25-10-02	J. Jurgens																																												
	Norm																																												
<p>Den Haan Rotterdam BV Wijnhaven 81 3011 WK Rotterdam The Netherlands</p>		<table border="1" style="width: 100%; border-collapse: collapse;"> <thead> <tr> <th>No.</th> <th>Change</th> <th>Date</th> <th>Name</th> </tr> </thead> <tbody> <tr> <td>1.2</td> <td>Column ext. version</td> <td>8-11-03</td> <td>J. J.</td> </tr> </tbody> </table>		No.	Change	Date	Name	1.2	Column ext. version	8-11-03	J. J.	<table border="1" style="width: 100%; border-collapse: collapse;"> <thead> <tr> <th>Date</th> <th>Name</th> </tr> </thead> <tbody> <tr> <td></td> <td></td> </tr> </tbody> </table>		Date	Name			<table border="1" style="width: 100%; border-collapse: collapse;"> <thead> <tr> <th>Date</th> <th>Name</th> </tr> </thead> <tbody> <tr> <td></td> <td></td> </tr> </tbody> </table>		Date	Name			<table border="1" style="width: 100%; border-collapse: collapse;"> <thead> <tr> <th>No.</th> <th>Change</th> <th>Date</th> <th>Name</th> </tr> </thead> <tbody> <tr> <td></td> <td></td> <td></td> <td></td> </tr> </tbody> </table>		No.	Change	Date	Name					<table border="1" style="width: 100%; border-collapse: collapse;"> <thead> <tr> <th>Date</th> <th>Name</th> </tr> </thead> <tbody> <tr> <td></td> <td></td> </tr> </tbody> </table>		Date	Name			<table border="1" style="width: 100%; border-collapse: collapse;"> <thead> <tr> <th>Date</th> <th>Name</th> </tr> </thead> <tbody> <tr> <td></td> <td></td> </tr> </tbody> </table>		Date	Name		
No.	Change	Date	Name																																										
1.2	Column ext. version	8-11-03	J. J.																																										
Date	Name																																												
Date	Name																																												
No.	Change	Date	Name																																										
Date	Name																																												
Date	Name																																												

Annex 3 – Wire diagram

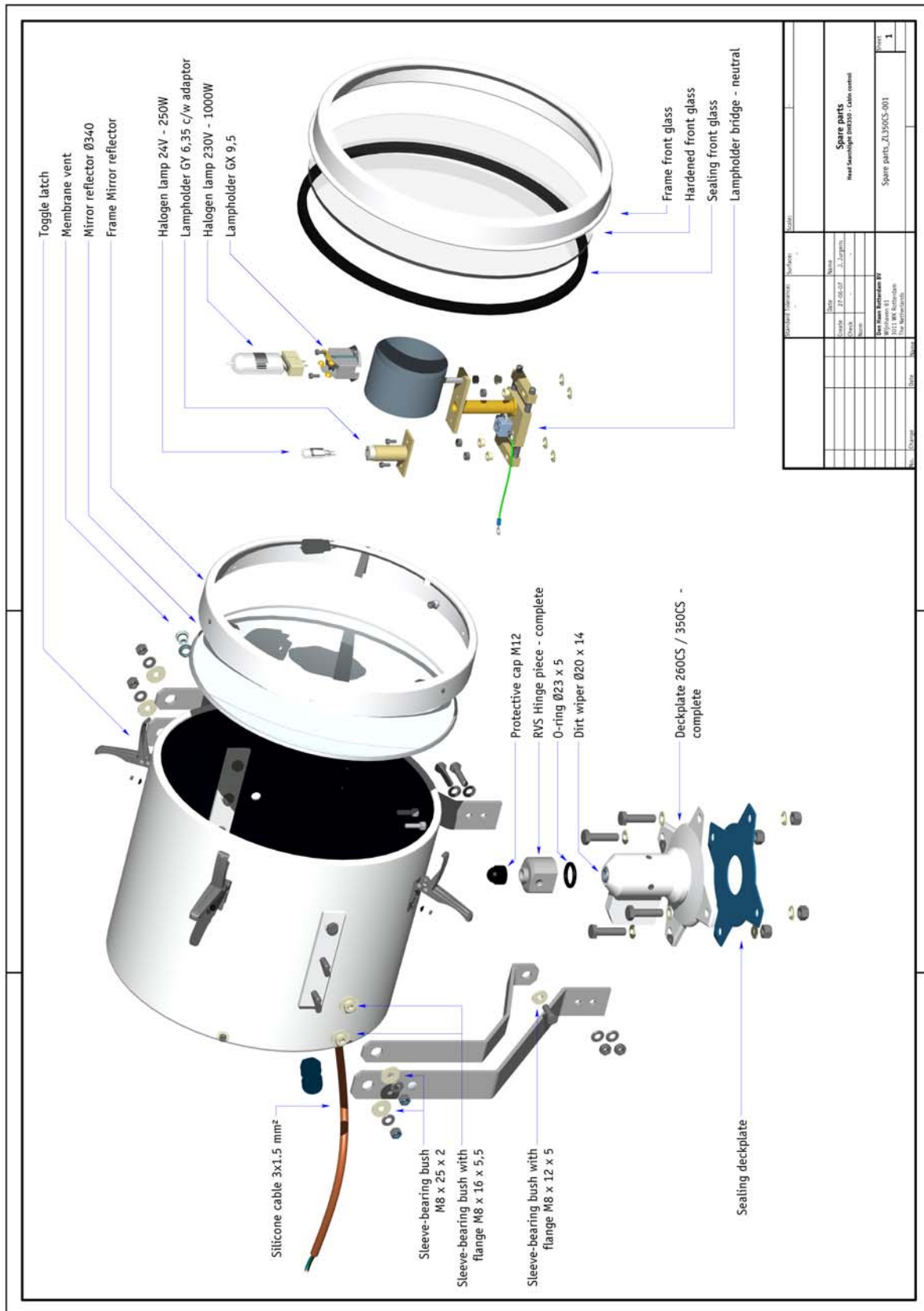


The electrical construction of the searchlight is manufactured in accordance with international standard IEC 60598-1, conform the directives 73/23/EEC and 93/68/EEC.

Annex 4 – Spare parts cabin control unit



Annex 5 – Spare parts head searchlight



The electrical construction of the searchlight is manufactured in accordance with international standard IEC 60598-1, conform the directives 73/23/EEC and 93/68/EEC.

