



Navigation Lights



Signalling Lights



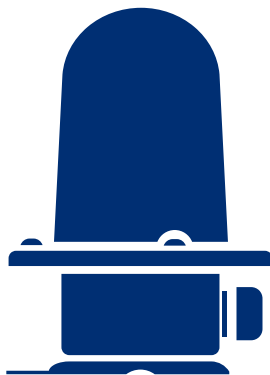
Searchlights



Whistles

INSTRUCTION MANUAL

DHR115 Xenon



Den Haan Rotterdam



ADVANCED MARITIME SIGNALLING SOLUTIONS



Den Haan Rotterdam
Fascinatio Boulevard 1182
2909 VA Capelle a/d IJssel
The Netherlands
T +31 (0) 10 413 07 55
E sales@dhr.nl
www.dhr.nl

18FEB-23

Den Haan Rotterdam



DISCLAIMER

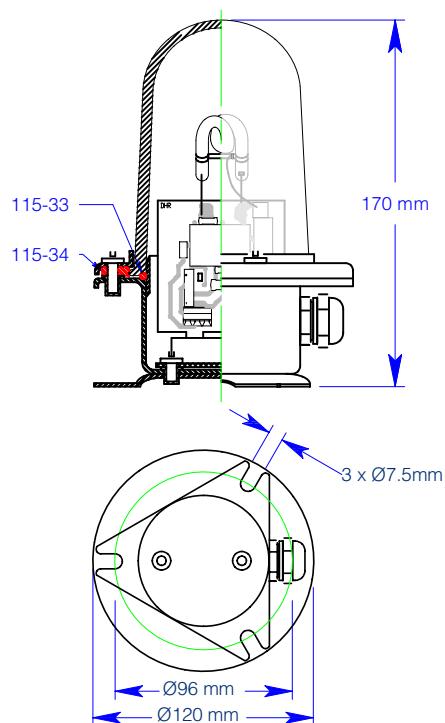
Despite constant care and attention DHR puts in its manuals it is still possible that information in this manual is incomplete or incorrect.

We do not guarantee that the information in the manual is suitable for the purpose for which the information was consulted. All information is offered in the state in which it actually is and without any (implicit) guarantee or warranty regarding its validity or its suitability for a particular purpose or otherwise. All illustrations are for illustrative purposes only. This manual is not intended to cover every possible detail about the product.

We exclude all liability for any damages, direct or indirect, of any nature whatsoever, arising from or in any way connected with the use of this manual. In addition we are not liable for damages, direct or indirect, arising from the use of information obtained from this manual.

A user of this manual may not publish copyright protected works or other information from the manual or in any way reproduce the information without our permission. This also includes the reproduction of information or parts thereof by publication in an electronic (computer) network.

DIMENSIONS



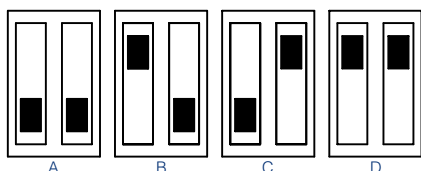


ALTERING THE FLASH RATE

Warning:

After switching off the power supply a period of **20 minutes** is necessary to discharge the Xenon unit. **Do not open before!** Only qualified persons should open the flashing light.

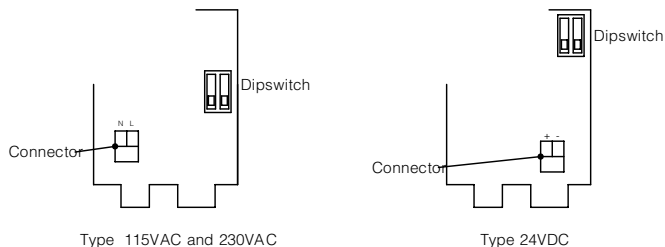
- 1) Switch off the power supply and wait 20 minutes.
- 2) Remove the well glass.
- 3) Set the dip switch according to your demands. (Figure 3)



- A = 40/60 flash/min. (Inland Navigation)
- B = 120/140 flash/min. (Sea going vessels)
- C = 100/120 flash/min. (Special applications)
- D = 180/200 flash/min. (Special applications , only for short periods of time!)

MOUNTING INSTRUCTIONS

- Mount the flashing light vertically (Well glass upright)
- Connect the cable 3x1,5 mm² to the PCB (Earth with crimp contact M5 to housing)



TECHNICAL DATA

Housing:	Stainless steel, type 316		
Optics:	Well glass, borosilicate Ø93 x Ø80 x 120 mm		
Protection class:	IP66		
Frequency:	40/60, 100/120, 120/140 or 180/200 flash/min		
Xenon flashing unit:	- 230 VAC 50/60 Hz	I _{max} 0,3A	Xenon 16W/s
	- 115 VAC 50/60 Hz	I _{max} 0,3A	Xenon 16W/s
	- 24 VDC	I _{max} 1,2A	Xenon 6 W/s
Electrical insulation class:	I		
Cable gland:	Pg13, from side		
Mounting base:	Triangular, holes 3 x Ø 7,5 mm on a diameter of 96 mm		