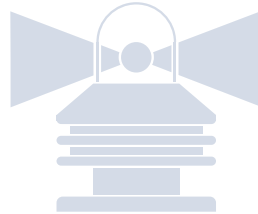


TECHNICAL MANUAL

DHR73 LED



SINCE 1922

Den Haan Rotterdam



DISCLAIMER

Despite constant care and attention DHR puts in its manuals it is still possible that information in this manual is incomplete or incorrect.

We do not guarantee that the information in the manual is suitable for the purpose for which the information was consulted. All information is offered in the state in which it actually is and without any (implicit) guarantee or warranty regarding its validity or its suitability for a particular purpose or otherwise. All illustrations are for illustrative purposes only. This manual is not intended to cover every possible detail about the product.

We exclude all liability for any damages, direct or indirect, of any nature whatsoever, arising from or in any way connected with the use of this manual. In addition we are not liable for damages, direct or indirect, arising from the use of information obtained from this manual.

A user of this manual may not publish copyright protected works or other information from the manual or in any way reproduce the information without our permission. This also includes the reproduction of information or parts thereof by publication in an electronic (computer) network.



TABLE OF CONTENTS

Technical data	4
Product photo	5
Dimensions	6
Available models	6
Exploded view	7
Electrical specification	8
Mounting instructions	9



TECHNICAL DATA

Application:

- Vessels carrying dangerous cargoes
- Vessels of official guards
- Fire fighting vessels
- As general signalling light

Materials:

- Well glass, borosilicate, $\varnothing 64 \times \varnothing 49 \times 73$ mm
- Power supply, encapsulated
- Seawater resistant aluminium, Finish: UV-resistant powder coating, white RAL9016

Optical:

- Visibility 3 – 5 NM (blue 2 NM)
- Colours: Green, Red, White, Yellow and Blue
- Light intensity and colour specification, according to the European standard EN 14744

Dip-switch adjustable signal frequency:

Continuously or 30, 60, 120, 180 flashes p/m.

Power supply:

Dual, 90 up to 230VAC and 24VDC $\pm 20\%$

Remark: Both voltages can be connected at the same time.

Electrical insulation class:

I, (grounded)

Protection class:

IP 66

Life time:

50,000 Hours

Operation temperature:

-25°C up to +55°C

Mounting:

Base

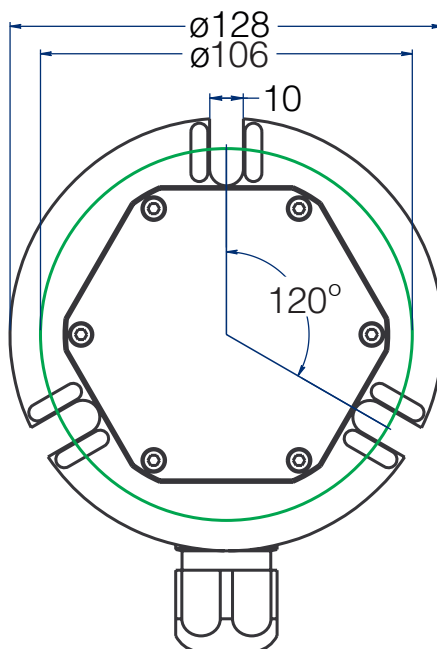
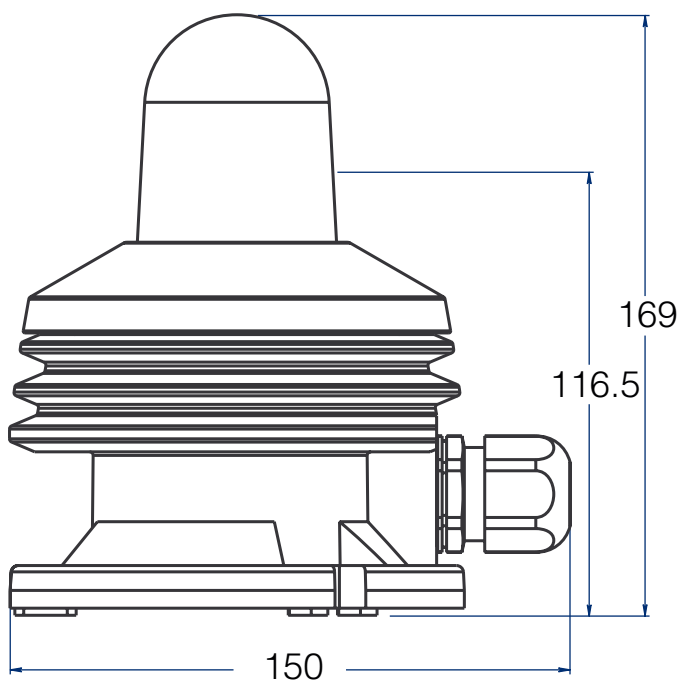
Cable entry:

Two cable glands M25x1.5, for cable diameter **7 - 12** mm

PRODUCT PHOTO



DIMENSIONS

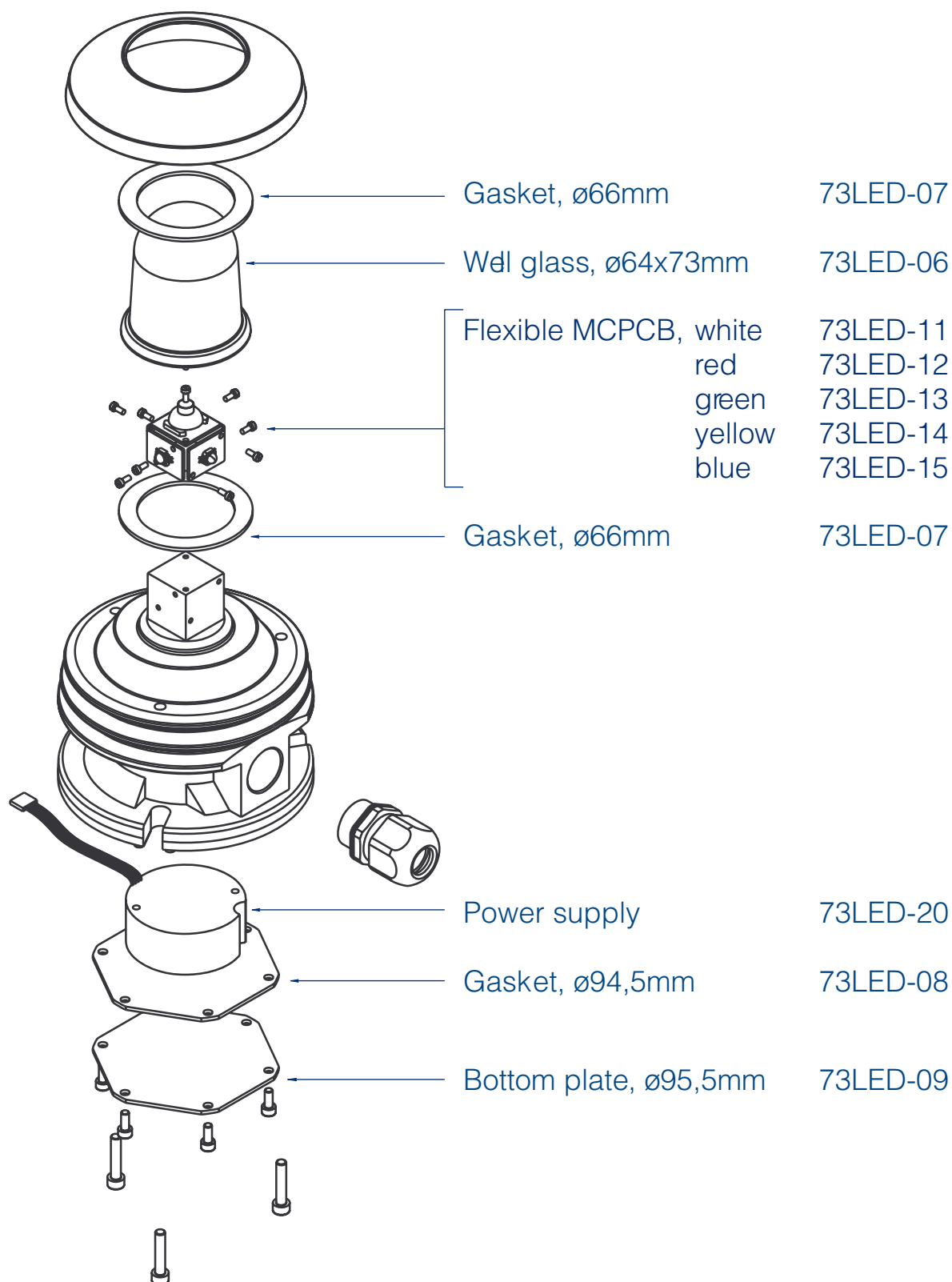


All dimensions in mm.

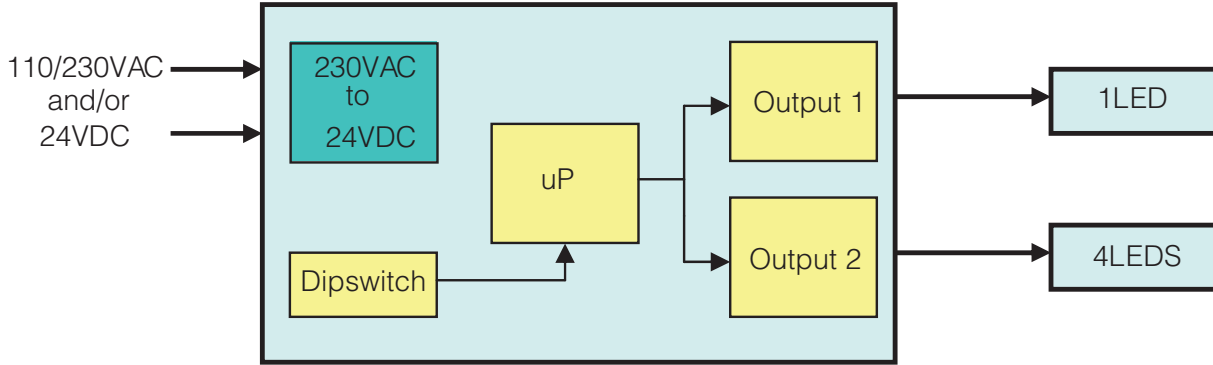
AVAILABLE MODELS

Signal light	Min. Visibility	Nom. Power	Art. Code
White	3 NM		73.06.00.00
Red	3 NM		73.07.00.00
Green	3 NM	7,5-12 W	73.08.00.00
Yellow	3 NM		73.09.00.00
Blue	2 NM		73.10.00.00

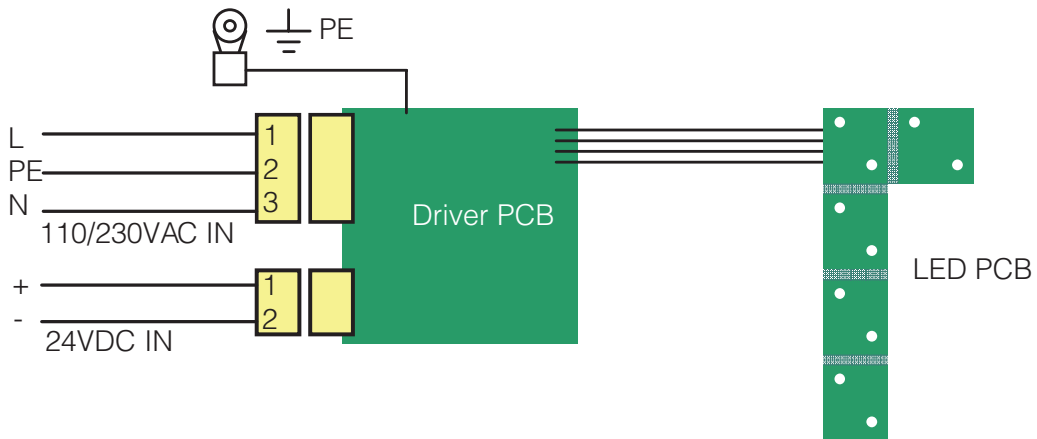
EXPLODED VIEW



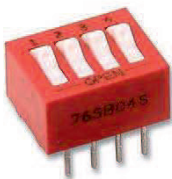
ELECTRICAL SPECIFICATION



Block diagram



Construction



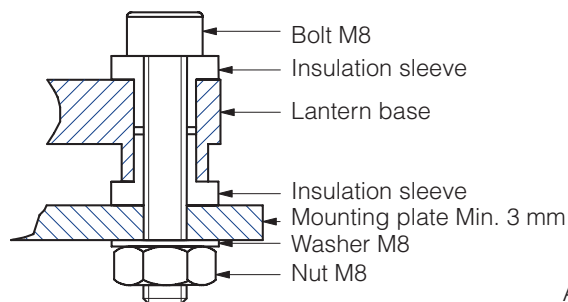
Sw 3	Sw 2	Sw 1	Flashes per minute
0	0	0	30
0	0	1	120
0	1	0	180
0	1	1	60
1	X	X	Continuously
Sw 4	1	Led current is 300mA	
	0	Led current is 500mA**	

'1': Switch is 'on'
'0': Switch is 'off'

** Use solely when flashing!

Dip-switch adjustment

MOUNTING INSTRUCTIONS



All dimensions in mm

Mounting plate

The mounting plate for navigation lights should be at least 3 mm thick and should not exceed a parallelism of // 00,5.

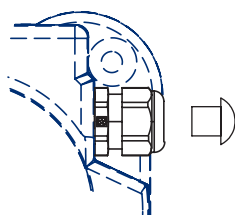
Fasteners

- The permissible torque should be 6 Nm
- Use only A4-grade stainless steel

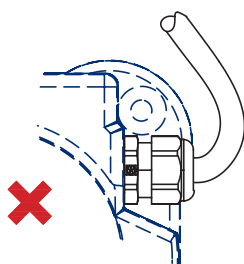
Caution!

Even though the housing is made of corrosion resistant materials, galvanic corrosion may still occur. To prevent galvanic corrosion use the insulation sleeves to isolate the aluminium housing from other metal parts.

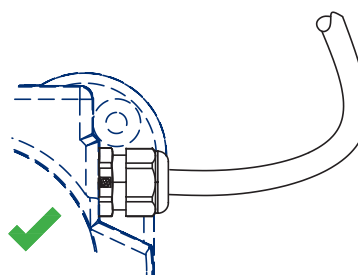
Cable glands



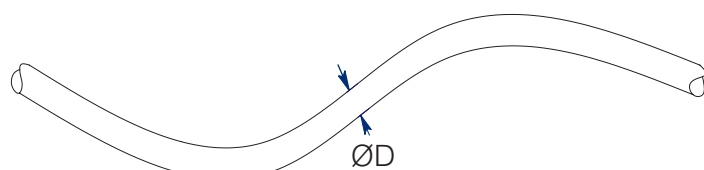
Remove the plug before placing the cable.



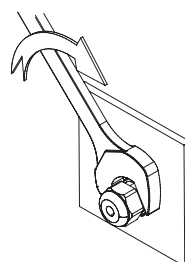
Cable too tight!
This gives unwanted stress at the sealing of the cable gland and water ingress will occur.



Include cable slack at the entering point of the cable gland



Preferred cable diameter D is 7 - 12 mm



Replacing cable gland

- Use gasket between housing and cable gland
- Tighten firmly (6Nm) with wrench

Important

Do not paint or use any other chemical for the lanterns, clean only with fresh water.

ADVANCED MARITIME SIGNALLING SOLUTIONS



Den Haan Rotterdam
Fascinatio Boulevard 1182
2909 VA Capelle a/d IJssel
The Netherlands
T +31 (0) 10 413 07 55
E sales@dhr.nl
www.dhr.nl